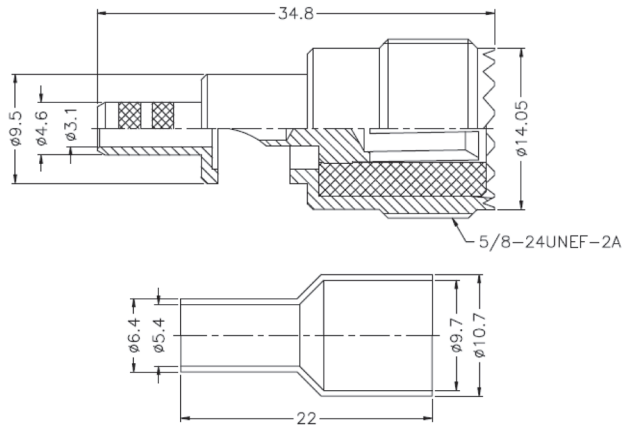


## 7934-3

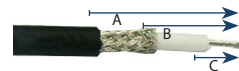
UHF female solder pin, crimp connector for RG58

Nickel plated

  
In-stock  
Ready to  
Ship



Interface	According to IEC 60169-12
Frequency range	DC - 300 MHz
VSWR	$\leq 1.10 @ DC-300MHz$
Impedance	50 Ohm
Dielectric withstanding voltage	$\geq 2000V$ RMS, 50Hz, at sea level
Dielectric resistance	$\geq 5000 M\Omega$
Contact resistance	Centre Contact - $\leq 5.0m\Omega$ Outer Contact - $\leq 5.0m\Omega$
Durability	$\geq 500$ mating cycles
Temperature range	-40°C to +85°C
Waterproof rated	IP67



A = 9.5 mm  
B = 6 mm  
C = 4 mm

### Construction

Body	Nickel plated brass
Insulator	PTFE (teflon)
Centre contact	Gold plated phosphor bronze
Crimp sleeve	Nickel plated annealed copper